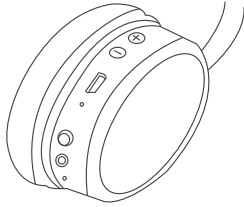


DID YOU KNOW?



LISTENING TO MUSIC

- a** To increase the volume level, hold down the volume **+** button .To decrease the volume level, hold down the volume **-** button .The headphones volume controls only work in Bluetooth mode.
- b** Press Power to play or pause audio.
- c** To play the next song, press **+** once. To play the last song, press **-** once.

CALLING

- a** Press Power once to answer a call.
- b** Press Power once to end a call.
- c** Press Power 2 seconds to reject a call.
- d** Press "Power" twice to redial last call.

WANT TO KNOW MORE?

For all product support, please email:



This product is intended for use within the UK Declaration of Conformance

The full text of the EU declaration of conformity is available at the following Internet address:
<http://www.bmstores.co.uk/technical-information>

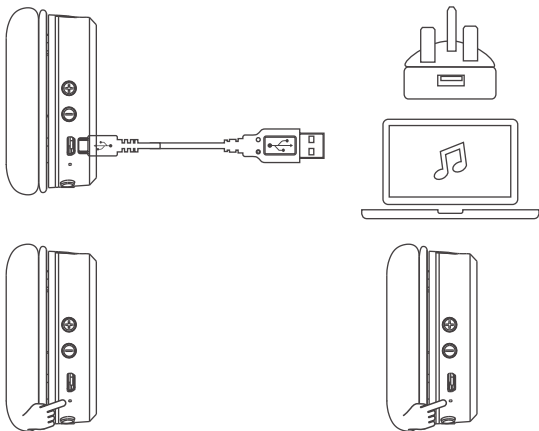
BLUETOOTH HEADPHONES
Model: 334290

DSC- January 18

Goodmans ELITE HEADPHONES



GETTING STARTED CHARGING YOUR HEADPHONES:

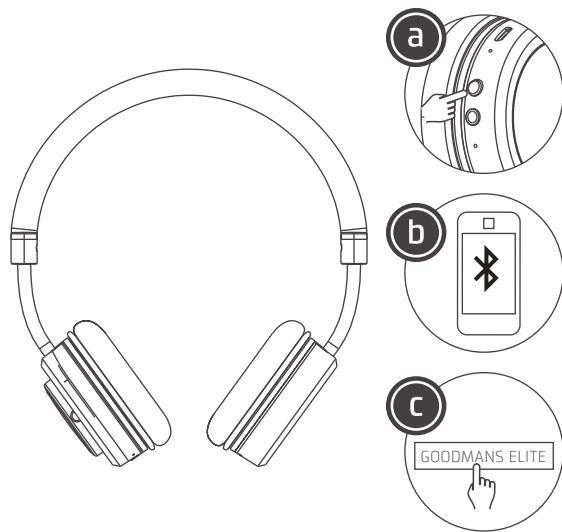


RED LED ON
when charging

RED LED OFF
when Completed

- a** Insert the small end of the USB cable into the headphones, and the other into a computer or compatible adapter.
- b** Charge your headphones before use.
- c** The red LED will illuminate when charging.
- d** The red LED will turn OFF when charging completed.

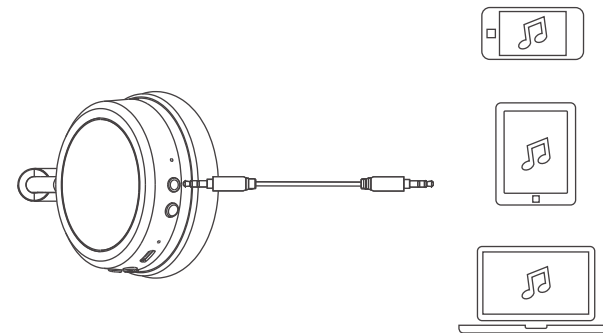
BLUETOOTH PAIRING



- a** Press the "Power" button for 3 seconds, the LED indicator flashes red and blue rapidly.
- b** Ensure Bluetooth is enabled on your smartphone, tablet, computer, or music device.
- c** The headphones will appear as "GOODMANS ELITE" in the list of available Bluetooth devices. Select "GOODMANS ELITE" and connect.

LINE IN CONNECTION:

Play music from your device through the line in connection.



- a** Connect one end of the 3.5mm line in cable into the port on the headphones and insert the other end into your device.
- b** Control your music from your device.
- c** Adjust volume on your device.